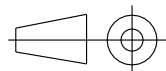
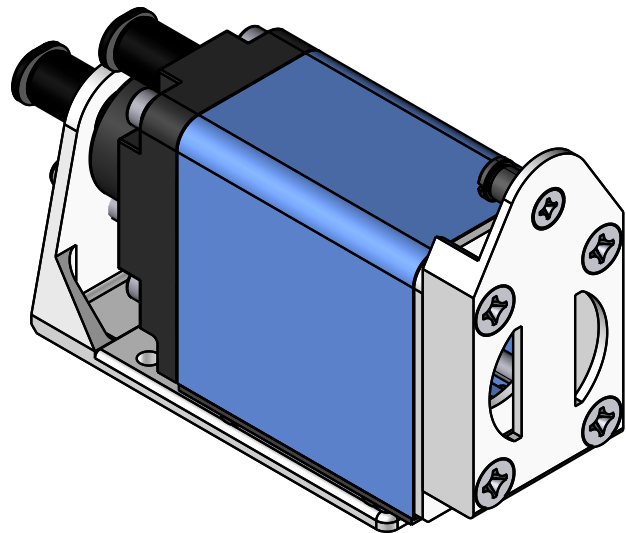
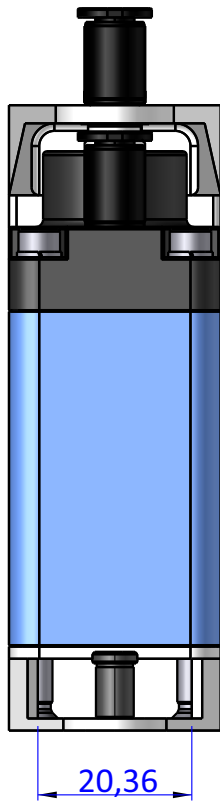
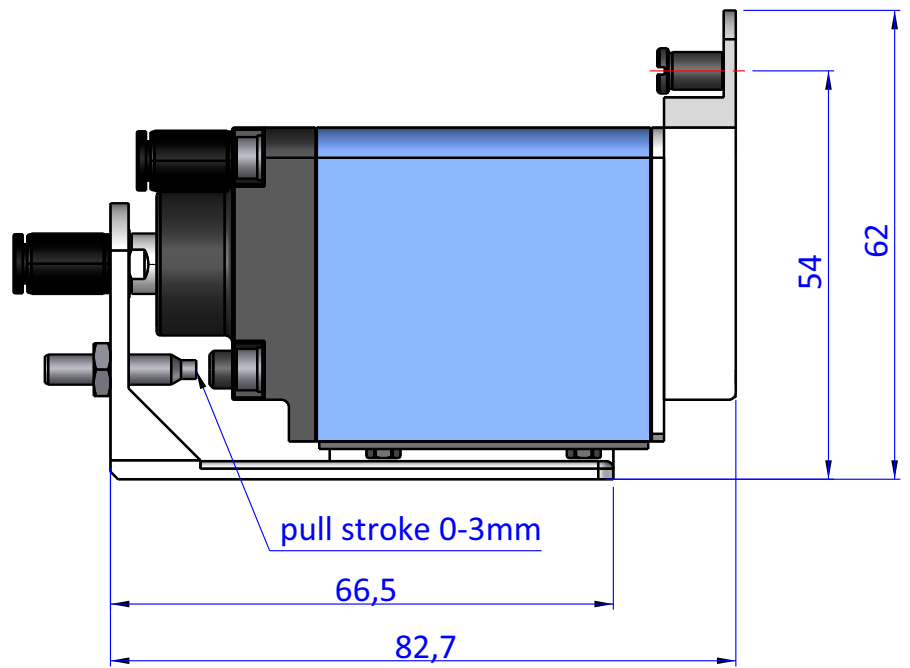
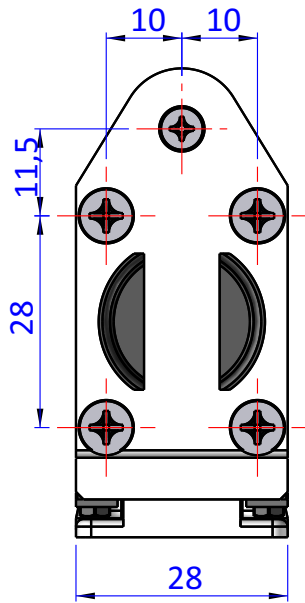


THE PROPERTY OF THE DRAWING IS ESTABLISHED BY LAW. IT IS FORBIDDEN TO PRODUCE OR SHOW IT TO THIRD PART. WITHOUT A WRITTEN AGREEMENT.



DESIGNED FROM

FPS Automation

REVIEW

A

DATE

02/11/2020

WEIGHT

0,275kg

CODE

VES.GTNY10G4

Format A4

UNI 936-76

GENERAL TOLERANCE

UNI - ISO 2768

CLASSE f

DESCRIPTION

VES.GTNY10G4

<p>Format A4</p> <p>UNI 936-76</p>			<p>DESIGNED FROM</p> <p>FPS Automation</p>		<p>REVIEW</p> <p>A</p>
	<p>GENERAL TOLERANCE</p> <p>UNI - ISO 2768</p> <p>CLASSE f</p>		<p>DATE</p> <p>02/11/2020</p>		<p>WEIGHT</p> <p>0,275kg</p>
			<p>DESCRIPTION</p> <p>VES.GTNY10G4</p>		<p>CODE</p> <p>VES.GTNY10G4</p>